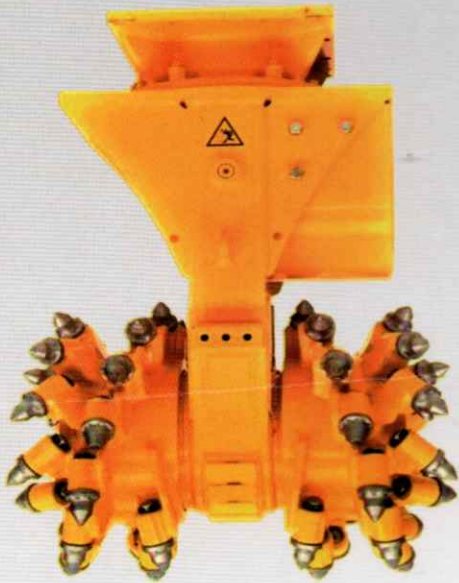


# AL MAHAD ENGINEERING

Manufacturer of Hydraulic Attachments



High Performance > High Productivity > High Profitability

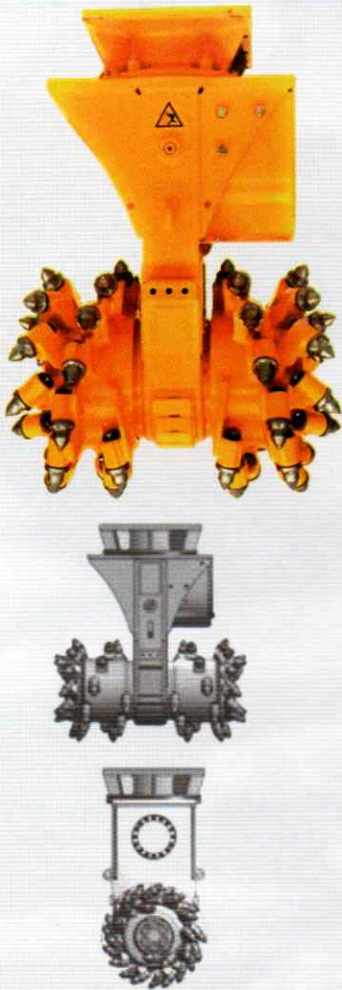
[www.almahadeng.com](http://www.almahadeng.com)



## Rotary Drum Cutter

This Equipment Uses World Class Hydraulic Technology the Unique Direct Drive Twin Motor System Gives Optimum Efficiencies Whilst Achieving Production Rates Far Exceeding the Capabilities of Conventional Rock .

This Equipment is the Right Choice for Demolition & Refurbishment Trenching - Tunneling & Mining - Quarrying & Rock Excavation Foundation Work - Underwater Application Road & Building Construction.



Model		MDC 10	MDC 15	MDC 30	MDC 40	MDC 50
Carrier Excavator	TON	8 - 15	16 - 22	23 - 35	35 - 45	45 - 55
Product Weight	KG	420	1,100	1,850	2,000	2,550
Hydraulic Oil Flow	L/MIN	75 - 130	110 - 180	190 - 340	200 - 350	80 - 420
Rotation Speed	RPM	80 - 140	60 - 110	65 - 90	50 - 90	50 - 80
Max Operating Pressure	BAR	350	350	350	350	350
Max Cutting Force	N	22,300	37,200	58,500	70,100	82,400
Max Torque	Nm	5,300	10,500	20,000	24,500	28,500
Max Rock Hardness	Mpa	45	55	75	80	100
Width of Grinder Head	A	670	740	880	940	960
Lenght of Drum Cutter	B	750	990	1,300	1,300	1,350
Diameter of Grinder Hea	C	380	570	680	680	720
Number of Picks		62	48	48	55	55

Crusher Buckets are Designed to Turn Your Machine into a Real Crusher. This is a Special Kind of Bucket Designed to Withstand the Hardest Rock in the Crushers Mountain Site.

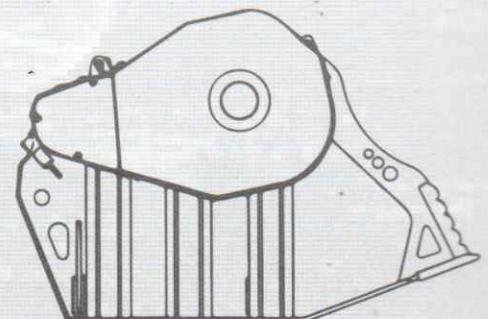
Crusher Bucket Has Many Areas of Applications: Quarrying, Mining, Demolition & Recycling Material like Bricks, Concrete, Asphalt, Rock etc, Excavation Environmental Reclamation, Pipelines.

## Crusher Bucket



### TECHNICAL SPECIFICATIONS

Model		MCB 18	MCB 22	MCB 30	MCB 40	MCB 50	MCB 60
Excavator Size	Tons	17 to 21	22 to 30	30 to 40	40 to 50	50 to 65	65 to 80
Length	mm	2.060	2.477	2.574	2.854	3.320	3.445
Height	mm	1.210	1.310	1.410	1.460	1.565	1.907
Weight	Kg	2.100	2.600	3.800	5.400	6.350	11.000
Internal width	mm	740	740	950	1.150	1.150	1.350
External width	mm	950	950	1.100	1.300	1.300	1.550
Max.drain pressure	MPa	0.5	0.5	0.5	0.5	0.5	0.5
Operating pressure	Bar	25	27	27	33	32	25
Operating flow	L/min	160	180	195	300	340	500
Loading capacity	m3	0.6	0.8	1	1.30	1.5	2
Hydraulic circuit		Double effect	Double effect	Double effect	Double effect	Double effect	Double effect
Crushing size	mm	400	420	430	465	500	500
Jaw opening	mm	20-80	20-90	20-140	20-150	20-210	20-220





# Vibro Ripper

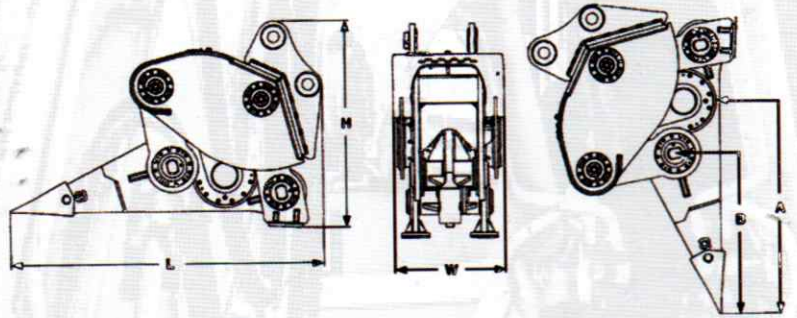


## TECHNICAL SPECIFICATION

MODEL		MVR 20	MVR 30	MVR 40	MVR 50	MVR 60	MVR 80	MVR 90
EXCAVATOR WEIGHT	TONS	18-22	22-35	35-45	45-60	60-75	75-85	85-95
OPERATION WEIGHT	KG	2400	3600	4300	6100	7000	8200	9400
HEIGHT	MM	1780	2435	2478	2647	2937	3010	3127
WIDTH	MM	734	802	804	823	847	973	1073
FREQUENCY	1/MIN	15600	1400	1300	1200	1100	1000	1000
HYDRAULIC WORKING PRESSURE	MPA	17-20	21-23	22-24	22-24	26-28	26-28	30-32
HYDRAULIC OIL FALLOW	L/MIN	120	160	180	200	250	280	360
AIR PRESSURE	BAR	3	3	4	4	4	3	3
MAXIMUM PRESSURE	MPA	0.4	0.4	05	0.4	0.4	0.4	0.4
ACCUMULATOR PRESSURE	MPA	0.5	0.5	0.6	0.4	0.1	0.6	0.6

Vibro Ripper has been Designed to Increase Productivity and Efficiency in Certain Applications Up to 5 Times More Than Hydraulic Breakers.

Some of its main Applications are: Excavation in Quarries, Construction, Ditches Permafrost, Tunnelling, Demolition, Recycling Mining and Works under Water.



These Vibro Rippers are Suitable for Excavators from 18 to 95 Tons.

## Demolition Attachments

We are Manufacturer of Heigh Quality Hydraulic Attachments for Excavator Since 2004. Our Demolition Attachments are Designed to Effectively and Safely Handle Any Building Demolition & Secondary Demolition & Scrap Processing and Any Other Related Projects.

We will Never Sell You Something Just For the Sake of Making the Sale. We Want You to Work Better, Faster & Harder Using Quality Attachments Which are Properly Matched to the Machinery You are Using.

Our Demolition Attachments are Flexible Reliable, High Performance and Low Maintenance That Gives You a Cost Effective Demolition.





# AL MAHAD ENGINEERING

We are Manufacturers of High-Performance Hydraulic Attachments for Excavators from 8 To 120 Tons.



Contact us

**General Manager:** +971 55 9380360, **Marketing Manager:** +971 50 5862647  
**Factory Tel:** +971 6 5317757, Al Saja'a, P.O. Box: 69133 - Sharjah, U.A.E.  
**E-mail:** [info@almaahadeng.com](mailto:info@almaahadeng.com), **Website:** [almaahadeng.com](http://almaahadeng.com)